



Rainier Industries, Ltd

18375 Olympic Ave. S.
Tukwila, WA 98188

800-869-7162 Toll Free
425-251-1800 Phone
425-251-5065 Fax

www.Rainier.com

Original design concepts are protected under Federal Copyright Laws and are the property of Rainier Industries, Ltd. Any reproduction of this design concept without written consent is expressly forbidden.

ISO 9001:2000 REGISTERED
ISO 14001: EMS - REGISTERED

TEXAS HOUSE SCREEN

Revisions

-- / --
-- / --
-- / --

WAYNE DAVIDSON
Sales Person

Job Name
ROLLER SCREEN
Drawing Title

305
RI Work Order Number

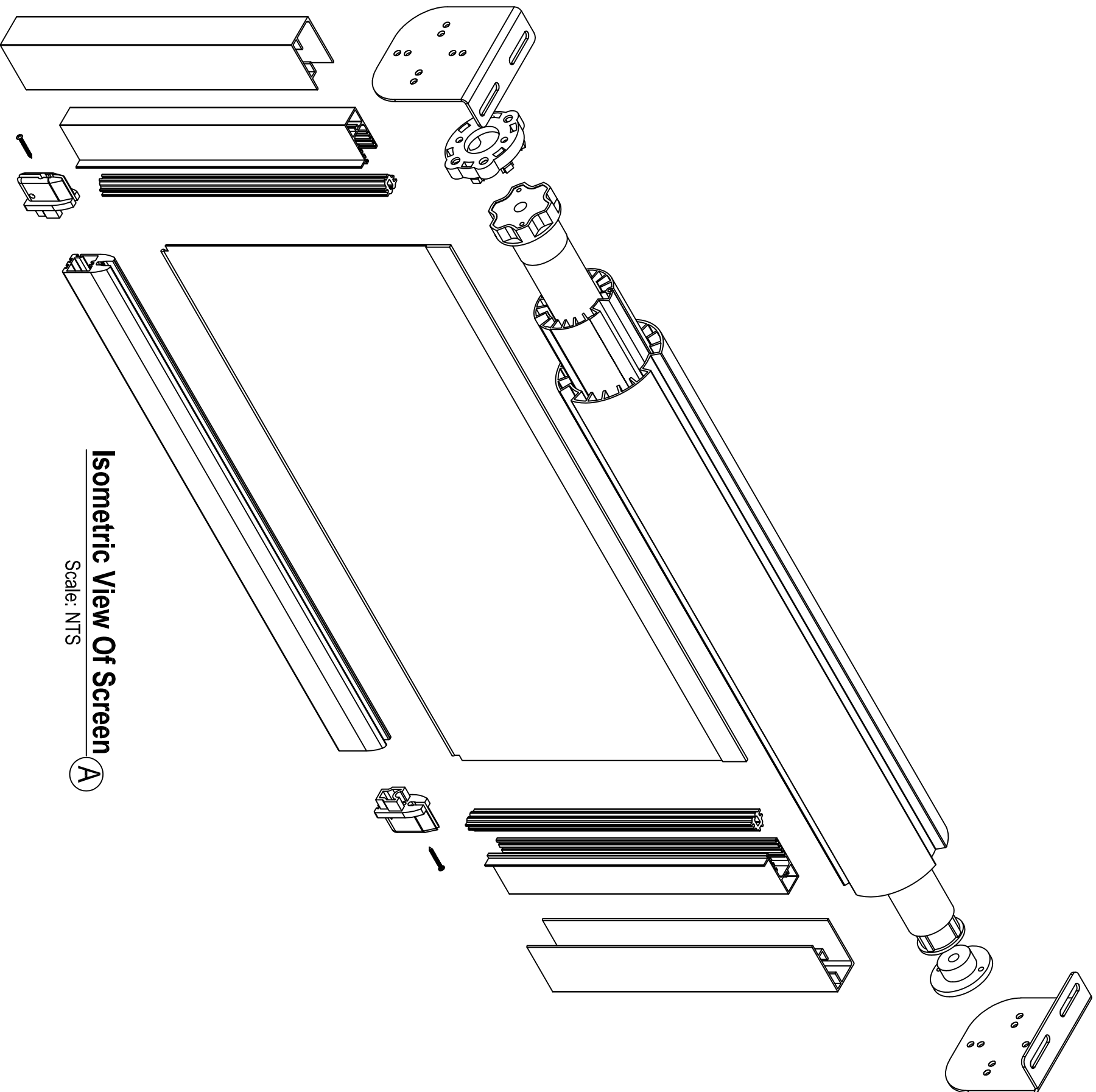
TED S MARIER
Drawn By

-- / --
Checked By / Date

STEVE SADENWASSER
Project Manager

-- / --
Issue Date / By

P1.00
Sheet Number



Isometric View Of Screen **A**

Scale: NTS



Rainier Industries, Ltd

18375 Olympic Ave. S.
Tukwila, WA 98188

800-869-7162 Toll Free
425-251-1800 Phone
425-251-5065 Fax

www.Rainier.com

Original design concepts are protected under Federal Copyright Laws and are the property of Rainier Industries, Ltd. Any reproduction of this design concept without written consent is expressly forbidden.

ISO 9001:2000 REGISTERED
ISO 14001: EMS - REGISTERED

**TEXAS HOUSE
SCREEN**

Revisions

--
--

WAYNE DAVIDSON
Sales Person

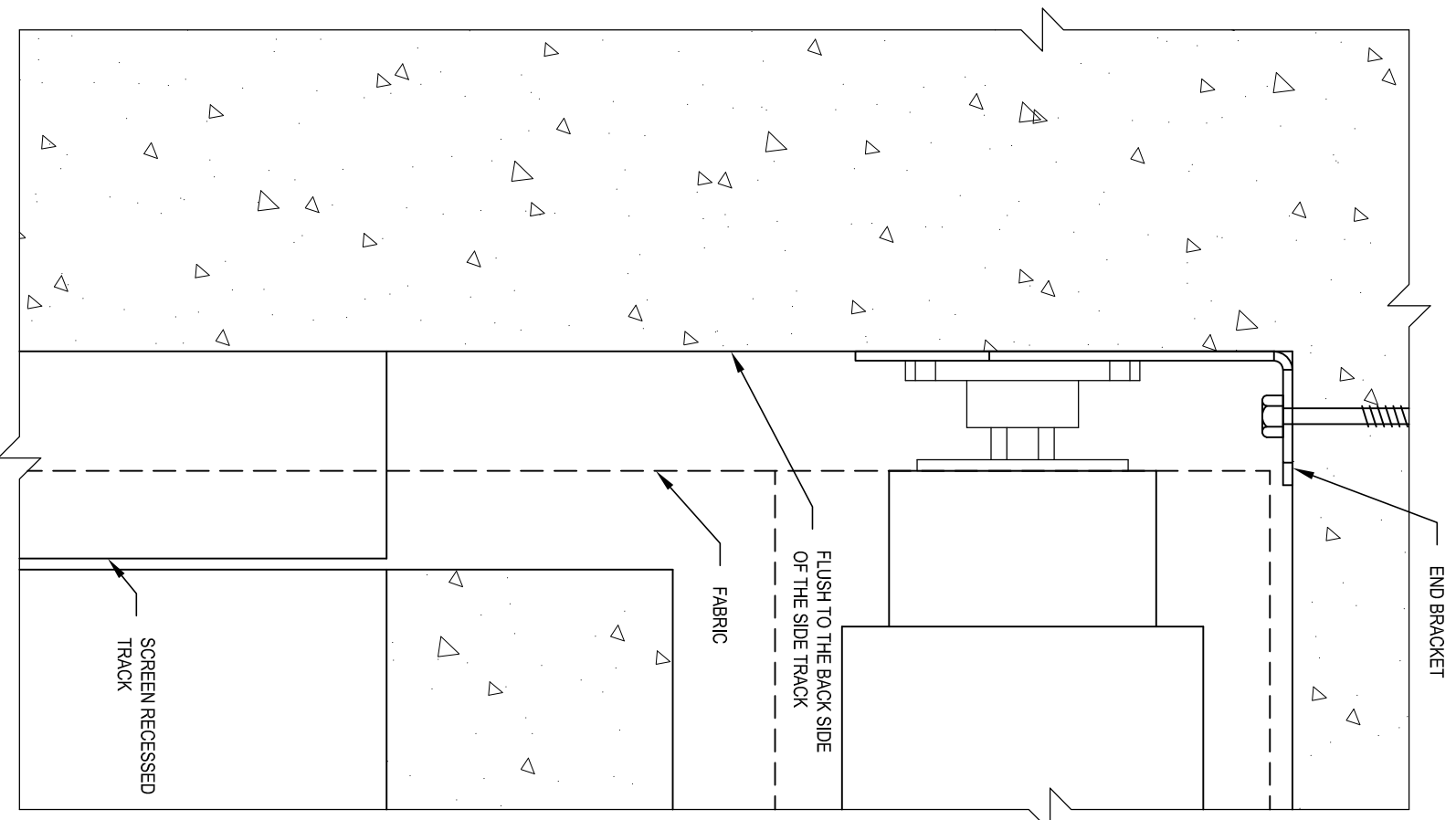
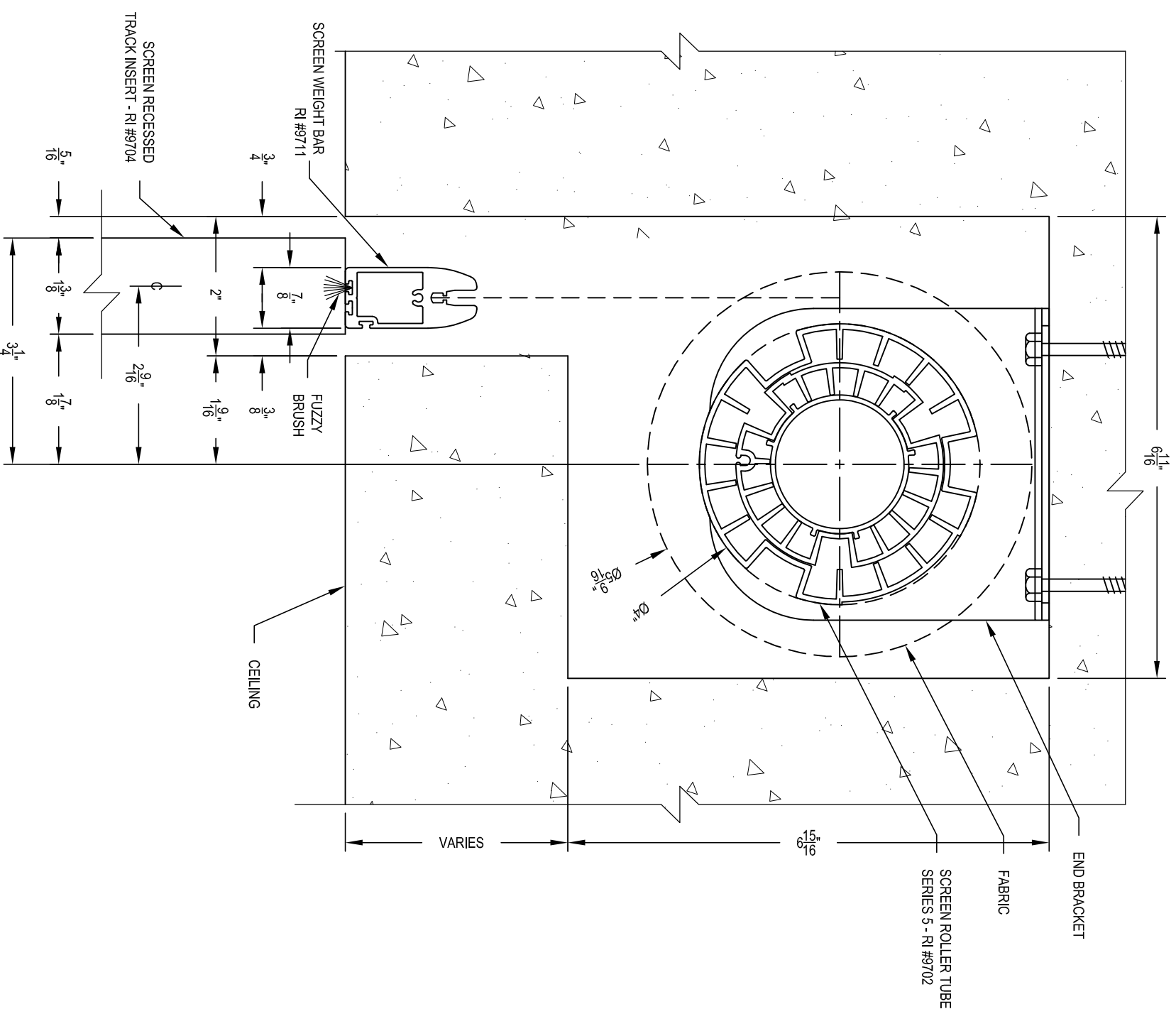
Job Name
DETAILS
Drawing Title

305
RI Work Order Number
TED S MARIER
Drawn By

Checked By / Date
STEVE SADENWASSER
Project Manager

Issue Date / By

P2.00
Sheet Number



Description: Roller Tube Section Side Attachment Detail

QTY: Scale: 6" = 1' - 0"

Material: Brick

A

Description: Roller Tube Section Attachment Detail

QTY: Scale: 6" = 1' - 0"

Material: Brick

B



Rainier Industries, Ltd

18375 Olympic Ave. S.
Tukwila, WA 98188

800-869-7162 Toll Free
425-251-1800 Phone
425-251-5065 Fax

www.Rainier.com

Original design concepts are protected under Federal Copyright Laws and are the property of Rainier Industries, Ltd. Any reproduction of this design concept without written consent is expressly forbidden.

ISO 9001:2000 REGISTERED
ISO 14001: EMS - REGISTERED

**TEXAS HOUSE
SCREEN**

Revisions

--
--

WAYNE DAVIDSON
Sales Person

Job Name
DETAILS

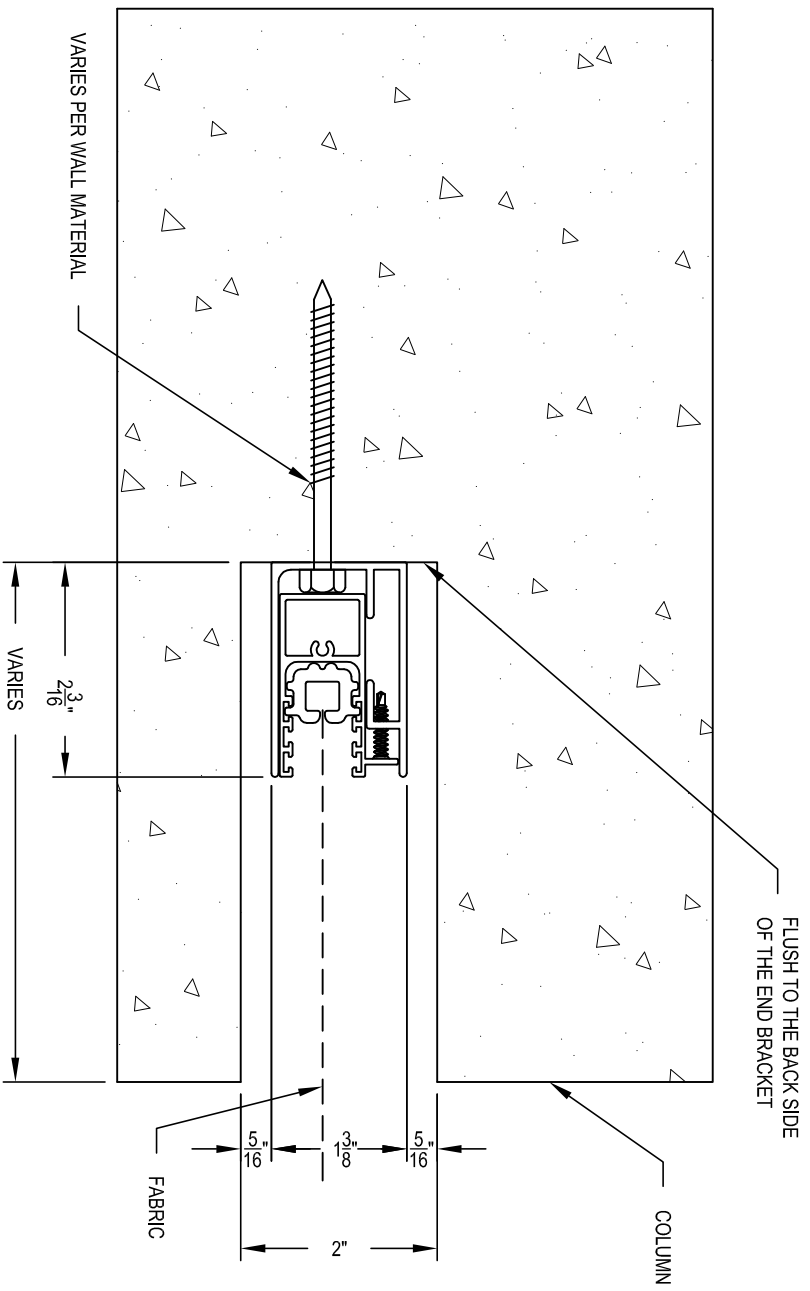
Drawing Title
305

RI Work Order Number
TED S MARIER

Drawn By
Checked By / Date
STEVE SADENWASSER
Project Manager

Issue Date / By

P3.00
Sheet Number

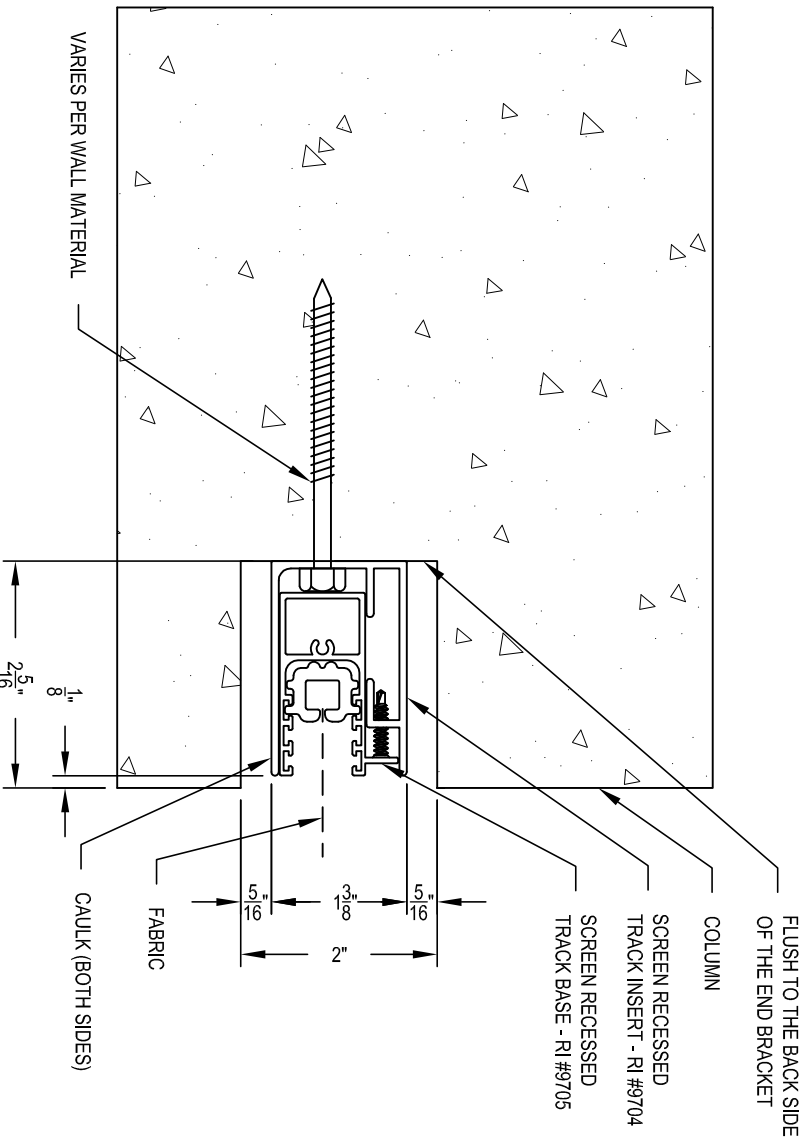


B

Description: Side Track Section Lower Attachment Detail

QTY: _____ Scale: 6" = 1' - 0"

Material: Brick



A

Description: Side Track Section Middle Attachment Detail

QTY: _____ Scale: 6" = 1' - 0"

Material: Brick